

КОНТРОЛЬНО-ЭТАЛОННЫЕ КОМПЛЕКТЫ



Архангельск (8182)63-90-72
Астана (7172)727-132
Астрахань (8512)99-46-04
Барнаул (3852)73-04-60
Белгород (4722)40-23-64
Брянск (4832)59-03-52
Владивосток (423)249-28-31
Волгоград (844)278-03-48
Вологда (8172)26-41-59
Воронеж (473)204-51-73
Екатеринбург (343)384-55-89
Иваново (4932)77-34-06

Ижевск (3412)26-03-58
Иркутск (395)279-98-46
Казань (843)206-01-48
Калининград (4012)72-03-81
Калуга (4842)92-23-67
Кемерово (3842)65-04-62
Киров (8332)68-02-04
Краснодар (861)203-40-90
Красноярск (391)204-63-61
Курск (4712)77-13-04
Липецк (4742)52-20-81

Киргизия (996)312-96-26-47

Магнитогорск (3519)55-03-13
Москва (495)268-04-70
Мурманск (8152)59-64-93
Набережные Челны (8552)20-53-41
Нижний Новгород (831)429-08-12
Новокузнецк (3843)20-46-81
Новосибирск (383)227-86-73
Омск (3812)21-46-40
Орел (4862)44-53-42
Оренбург (3532)37-68-04
Пенза (8412)22-31-16

Россия (495)268-04-70

Пермь (342)205-81-47
Ростов-на-Дону (863)308-18-15
Рязань (4912)46-61-64
Самара (846)206-03-16
Санкт-Петербург (812)309-46-40
Саратов (845)249-38-78
Севастополь (8692)22-31-93
Симферополь (3652)67-13-56
Смоленск (4812)29-41-54
Сочи (862)225-72-31
Ставрополь (8652)20-65-13

Казахстан (772)734-952-31

Сургут (3462)77-98-35
Тверь (4822)63-31-35
Томск (3822)98-41-53
Тула (4872)74-02-29
Тюмень (3452)66-21-18
Ульяновск (8422)24-23-59
Уфа (347)229-48-12
Хабаровск (4212)92-98-04
Челябинск (351)202-03-61
Череповец (8202)49-02-64
Ярославль (4852)69-52-93

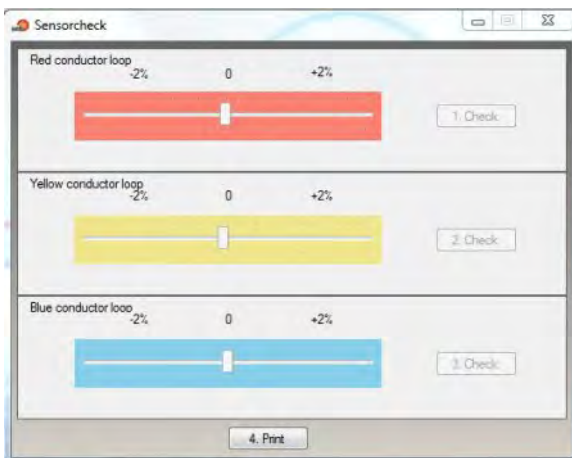
Адрес сайта: <https://seli.nt-rt.ru> || эл. почта: sfs@nt-rt.ru

Reference conductor loop set for conductivity sensor SLI03

Type LLS

Technical Features

- ▶ No calibration liquids as reference necessary
- ▶ Easy plug-in mounting
- ▶ There are three standard measuring ranges being checked
- ▶ Verification and documentation of deviation of the conductivity sensor SLI03 possible
- ▶ Suitable for inductive conductivity Measuring device
- ▶ Delivery with new certificate and as well Recalibration possible on request
- ▶ Dimensions box: 120x116x40mm
- ▶ Material box: PP dark blue
- ▶ Number of conductor loops: 3 pieces
- ▶ Measuring ranges: 215 mS / cm, 21.5 mS / cm, 2.15 mS / cm



SLI Sensorcheck 06.03.2019 11:03:07

Device number: MH6182
Tag-no.:

Red conductor loop:
Expected value: 211,96 mS / cm
Actual value: 211,83 mS / cm
Deviation: 0,1 %

Yellow conductor loop:
Expected value: 21,20 mS / cm
Actual value: 21,17 mS / cm
Deviation: 0,1 %

Blue conductor loop:
Expected value: 2,12 mS / cm
Actual value: 2,12 mS / cm
Deviation: 0,1 %

Conductivities are not temperature compensated.
Created with Seli Soft V1.0

The LLS is a reference conductor loop set, which consists of test resistors for the simulation of defined conductivity. It is used to check and adjust the Seli conductivity sensor SLI03.

This set is equipped with three test resistors to calculate the conductivity values without considering the Temperature compensation (set TK value = 0% / K) in a simple way quickly and easily check to check.

Also, the LLS and the free software "SeliSoft" can be used to test the conductivity sensor SLI03 via PC. The documentation takes place with time stamp and device number of the connected device and the measured values can be documented and printed for verification.

Reference filter set for turbidity meter RFS-T03

Type RFS-T03

Technical Features

- ▶ No calibration liquids as reference necessary
- ▶ Simply attachable
- ▶ Available for all measuring ranges
- ▶ Compilation of the individual filters free selectable
- ▶ Suitable for turbidity and absorption units
- ▶ NIST traceable with certificate
- ▶ Recalibration with new certificate at the factory possible
- ▶ Dimensions box 120x116x40mm
- ▶ Material Box PP dark blue
- ▶ Number of filter max. 3 pieces
- ▶ Dimensions filter 30x17mm
- ▶ Material filter AlMgSi anodized
- ▶ Path length > 5mm
- ▶ Shank diameter 12mm
- ▶ Absorption values 0.35AU, 1AU, 2AU ... 5AU
- ▶ Certificate included



RFS-T03 is a reference filter set for checking, adjusting or calibrating the Seli turbidity meter STS03. This set can be equipped with up to three individually selectable single filters to check the ideal measuring range of the sensor.

	RFS-T03	-	-	
Filter 1				
0,35 AU / 290 EBC / 45% Turbidity	0,35 AU			
1 AU / 1100 EBC / 90% Turbidity	1 AU			
2 AU / 2200 EBC / 99% Turbidity	2 AU			
3 AU / 3300 EBC / 99,9% Turbidity	3 AU			
Customized on request	K			
Filter 2				
1 AU / 1100 EBC / 90% Turbidity		1 AU		
2 AU / 2200 EBC / 99% Turbidity		2 AU		
3 AU / 3300 EBC / 99,9% Turbidity		3 AU		
without filter		xx		
Customized on request		K		
Filter 3				
2 AU / 2200 EBC / 99% Turbidity			2 AU	
3 AU / 3300 EBC / 99,9% Turbidity			3 AU	
without Filter			xx	
Customized on request			K	

Type RFS-T15

modular @ analyse

Reference Normal-Set for Turbidity Sensor STS15

Basic Features

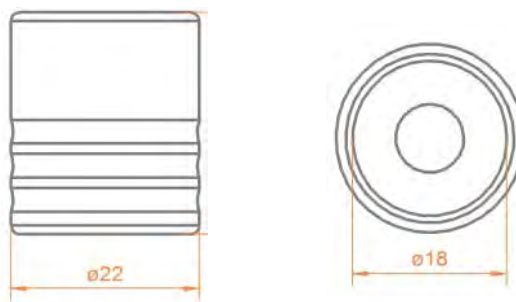
- ▶ NIR backscatter sensor
- ▶ no calibration liquids as reference necessary
- ▶ Easy to use
- ▶ available for different measuring ranges
- ▶ Compilation of the individual normals, freely selectable
- ▶ suitable for backscatter principle in high measuring ranges
- ▶ NIST traceable with certificate
- ▶ Recalibration with new certificate at the factory possible



Technical Features

- ▶ Dimensions Box 120x116x40mm
- ▶ Material Box PP dunkelblau
- ▶ Number of filters 3 Stück max.
- ▶ Dimension Filter 31x26 mm
- ▶ Material Filter AlMgSi anodized
- ▶ Backscatter values 10 %, 20 %, 50 %, 90 %
- ▶ Certificate included

Dimensional Drawings



Favoured fields of application are:

RFS-T15 is a set of reference standards for checking and adjusting the STS15 NIR backscatter sensor. This set can be equipped with up to three individually selectable standards in order to be able to check the sensor in the ideal measuring range.

Ordercode

RFS-T15- [] - [] - []

Filter 1

- 10 % Backscattering
- 20 % Backscattering
- 50 % Backscattering
- 90 % Backscattering

10
20
50
90

Filter 2

- without second reference normal
- 20 % Backscattering
- 50 % Backscattering
- 90 % Backscattering

-
20
50
90

Filter 3

- without third reference normal
- 50 % Backscattering
- 90 % Backscattering

-
50
90



Архангельск (8182)63-90-72
Астана (7172)727-132
Астрахань (8512)99-46-04
Барнаул (3852)73-04-60
Белгород (4722)40-23-64
Брянск (4832)59-03-52
Владивосток (423)249-28-31
Волгоград (844)278-03-48
Вологда (8172)26-41-59
Воронеж (473)204-51-73
Екатеринбург (343)384-55-89
Иваново (4932)77-34-06

Ижевск (3412)26-03-58
Иркутск (395)279-98-46
Казань (843)206-01-48
Калининград (4012)72-03-81
Калуга (4842)92-23-67
Кемерово (3842)65-04-62
Киров (8332)68-02-04
Краснодар (861)203-40-90
Красноярск (391)204-63-61
Курск (4712)77-13-04
Липецк (4742)52-20-81

Киргизия (996)312-96-26-47

Магнитогорск (3519)55-03-13
Москва (495)268-04-70
Мурманск (8152)59-64-93
Набережные Челны (8552)20-53-41
Нижний Новгород (831)429-08-12
Новокузнецк (3843)20-46-81
Новосибирск (383)227-86-73
Омск (3812)21-46-40
Орел (4862)44-53-42
Оренбург (3532)37-68-04
Пенза (8412)22-31-16

Россия (495)268-04-70

Пермь (342)205-81-47
Ростов-на-Дону (863)308-18-15
Рязань (4912)46-61-64
Самара (846)206-03-16
Санкт-Петербург (812)309-46-40
Саратов (845)249-38-78
Севастополь (8692)22-31-93
Симферополь (3652)67-13-56
Смоленск (4812)29-41-54
Сочи (862)225-72-31
Ставрополь (8652)20-65-13

Казахстан (772)734-952-31

Сургут (3462)77-98-35
Тверь (4822)63-31-35
Томск (3822)98-41-53
Тула (4872)74-02-29
Тюмень (3452)66-21-18
Ульяновск (8422)24-23-59
Уфа (347)229-48-12
Хабаровск (4212)92-98-04
Челябинск (351)202-03-61
Череповец (8202)49-02-64
Ярославль (4852)69-52-93

Адрес сайта: <https://seli.nt-rt.ru> || эл. почта: sfs@nt-rt.ru