

ПРЕОБРАЗОВАТЕЛИ УРОВНЯ SNKM-1.0



Архангельск (8182)63-90-72
Астана (7172)727-132
Астрахань (8512)99-46-04
Барнаул (3852)73-04-60
Белгород (4722)40-23-64
Брянск (4832)59-03-52
Владивосток (423)249-28-31
Волгоград (844)278-03-48
Вологда (8172)26-41-59
Воронеж (473)204-51-73
Екатеринбург (343)384-55-89
Иваново (4932)77-34-06

Ижевск (3412)26-03-58
Иркутск (395)279-98-46
Казань (843)206-01-48
Калининград (4012)72-03-81
Калуга (4842)92-23-67
Кемерово (3842)65-04-62
Киров (8332)68-02-04
Краснодар (861)203-40-90
Красноярск (391)204-63-61
Курск (4712)77-13-04
Липецк (4742)52-20-81

Киргизия (996)312-96-26-47

Магнитогорск (3519)55-03-13
Москва (495)268-04-70
Мурманск (8152)59-64-93
Набережные Челны (8552)20-53-41
Нижний Новгород (831)429-08-12
Новокузнецк (3843)20-46-81
Новосибирск (383)227-86-73
Омск (3812)21-46-40
Орел (4862)44-53-42
Оренбург (3532)37-68-04
Пенза (8412)22-31-16

Россия (495)268-04-70

Пермь (342)205-81-47
Ростов-на-Дону (863)308-18-15
Рязань (4912)46-61-64
Самара (846)206-03-16
Санкт-Петербург (812)309-46-40
Саратов (845)249-38-78
Севастополь (8692)22-31-93
Симферополь (3652)67-13-56
Смоленск (4812)29-41-54
Сочи (862)225-72-31
Ставрополь (8652)20-65-13

Казахстан (772)734-952-31

Сургут (3462)77-98-35
Тверь (4822)63-31-35
Томск (3822)98-41-53
Тула (4872)74-02-29
Тюмень (3452)66-21-18
Ульяновск (8422)24-23-59
Уфа (347)229-48-12
Хабаровск (4212)92-98-04
Челябинск (351)202-03-61
Череповец (8202)49-02-64
Ярославль (4852)69-52-93

Адрес сайта: <https://seli.nt-rt.ru> || эл. почта: sfs@nt-rt.ru

Type SNKM-1.0

Free adjustable level-head-module for conductive level detection

Advanced Features

- ▶ Processor-controlled level-switch-module
- ▶ Full-/empty message switchable
- ▶ Installation in 1-staff level probe (e. g. KS 15/17)
- ▶ Direct connection on a PLC control
- ▶ Module is moulded completely
- ▶ PC-configurable (optional)
incl. process-monitoring + documentation
- ▶ Visualisation by use of PC-USB-Interface incl. Software to read out and parametrise

Technical Features

- ▶ Installation in all conductive 1-staff level-probes with connecting-head bigger als 43,5 mm Ø
- ▶ Auxiliary Voltage 24VDC
- ▶ Output PNP, 24 V, 30 mA, invertable
- ▶ Electrodes supply AC voltage
- ▶ Storage temperature -20...+85°C
- ▶ Working temperature -10...+70°C
- ▶ Voltage-requirement <30mA
- ▶ Construction form: Ø 43,5 mm
- ▶ Supply voltage: 24 VDC +-20%
- ▶ Input: 1 Electrode, ground on sleeve

Favoured fields of application are e.g.:

- ▶ Level detection of conductive liquids
- ▶ Analysis of single-levels in conductive working 1-staff level-probes (e. g. KS 15/17)

Sensitivity

Adjustable by use of Software

Range 0...10 kOhm / 10...990 kOhm

Function full-/empty

Switchable

look configurations-switch

Preset Power On value 3kΩ
 Power Off value 4kΩ
 Turn on-/turn off delay <0,1 sec.



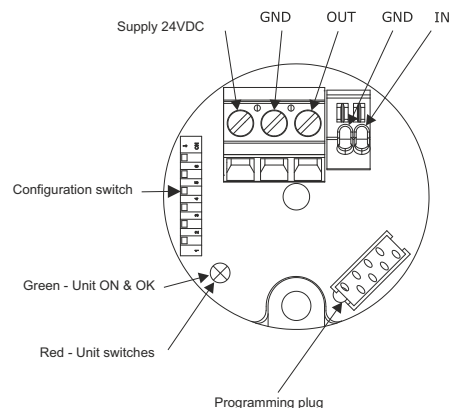
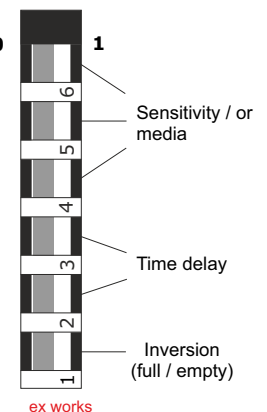
Sensitivity adjustment at various media

Switch			Turn on/off values		
6	5	4	On	Off	kΩ
0	0	0	3	4	kΩ
Switch setting for PC-Parameterization (optional)					
0	0	1	3	3,5	kΩ
0	1	0	5	5,5	kΩ
0	1	1	6	6,5	kΩ
1	0	0	8	8,5	kΩ
1	0	1	100	130	kΩ
1	1	0	250	280	kΩ
1	1	1	500	530	kΩ

Delay

Switch		Delay in sec
3	2	
0	0	0,1 sec
0	1	2 sec
1	0	4 sec
1	1	8 sec

Configuration-switch



Protect the device during installation and operation from electrostatic discharge. A faulty installation, as well as incorrectly parameter settings may affect your application in proper function, or cause damages. Therefore It should always exist independent safety features . Settings must be performed by qualified persoal. All necessary settings on the must be performed over configuration switches or the SNKM-Software. Should still occur problems during the start-up, you may not make any unauthorized tampering with the device. You could endanger your warranty!

- At lower deviation of dew points water condensation is possible, that can destroy the module.
- The unit must installed directly into a 1-staff level-probe. Do not use any supply lines between module and probe that are longer than 5cm !
- The CE declaration of conformity is exclusive valid by installation in a probe of the KS-1..series!



Архангельск (8182)63-90-72
Астана (7172)727-132
Астрахань (8512)99-46-04
Барнаул (3852)73-04-60
Белгород (4722)40-23-64
Брянск (4832)59-03-52
Владивосток (423)249-28-31
Волгоград (844)278-03-48
Вологда (8172)26-41-59
Воронеж (473)204-51-73
Екатеринбург (343)384-55-89
Иваново (4932)77-34-06

Ижевск (3412)26-03-58
Иркутск (395)279-98-46
Казань (843)206-01-48
Калининград (4012)72-03-81
Калуга (4842)92-23-67
Кемерово (3842)65-04-62
Киров (8332)68-02-04
Краснодар (861)203-40-90
Красноярск (391)204-63-61
Курск (4712)77-13-04
Липецк (4742)52-20-81

Киргизия (996)312-96-26-47

Магнитогорск (3519)55-03-13
Москва (495)268-04-70
Мурманск (8152)59-64-93
Набережные Челны (8552)20-53-41
Нижний Новгород (831)429-08-12
Новокузнецк (3843)20-46-81
Новосибирск (383)227-86-73
Омск (3812)21-46-40
Орел (4862)44-53-42
Оренбург (3532)37-68-04
Пенза (8412)22-31-16

Россия (495)268-04-70

Пермь (342)205-81-47
Ростов-на-Дону (863)308-18-15
Рязань (4912)46-61-64
Самара (846)206-03-16
Санкт-Петербург (812)309-46-40
Саратов (845)249-38-78
Севастополь (8692)22-31-93
Симферополь (3652)67-13-56
Смоленск (4812)29-41-54
Сочи (862)225-72-31
Ставрополь (8652)20-65-13

Казахстан (772)734-952-31

Сургут (3462)77-98-35
Тверь (4822)63-31-35
Томск (3822)98-41-53
Тула (4872)74-02-29
Тюмень (3452)66-21-18
Ульяновск (8422)24-23-59
Уфа (347)229-48-12
Хабаровск (4212)92-98-04
Челябинск (351)202-03-61
Череповец (8202)49-02-64
Ярославль (4852)69-52-93

Адрес сайта: <https://seli.nt-rt.ru> || эл. почта: sfs@nt-rt.ru